

CVUR

VERTICAL, CENTRIFUGAL, MULTI-STAGE PUMPS



APPLICATION

- primary and secondary water stations
- booster stations to increase the pressure in the water systems
- water supply systems in a wide range of industrial branches
- pumping in heating plants
- agriculture as pumping stations for large-area irrigation systems

WORKING CONDITIONS

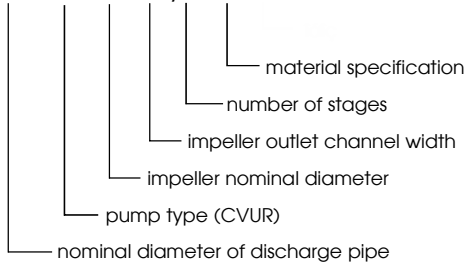
- drinking, pure or utility water containing soluble compounds
- medium temperature up to +80°C
- pH 6 - 11



CVUR

TYPE IDENTIFICATION

65-CVUR-255-13 / 2 - DU

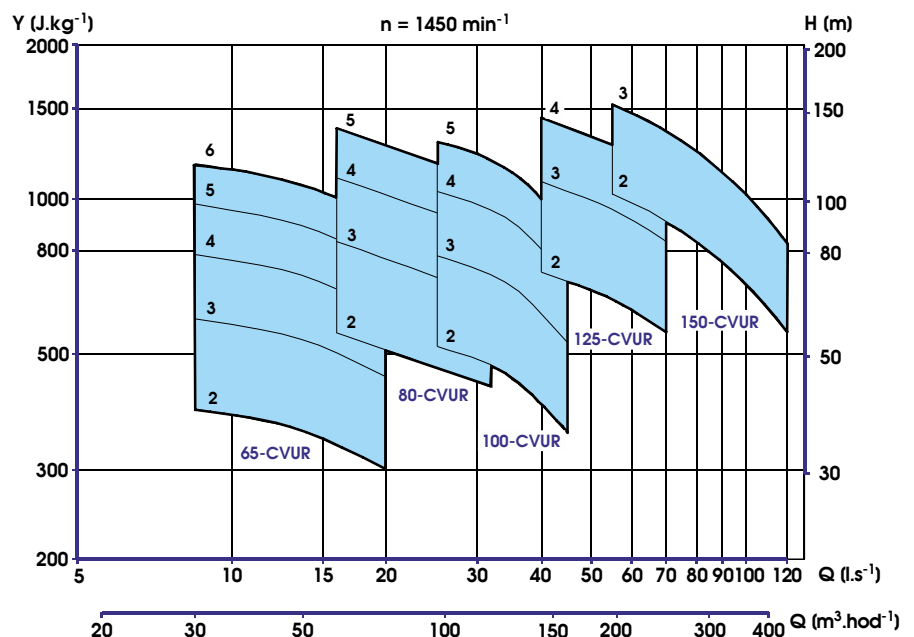


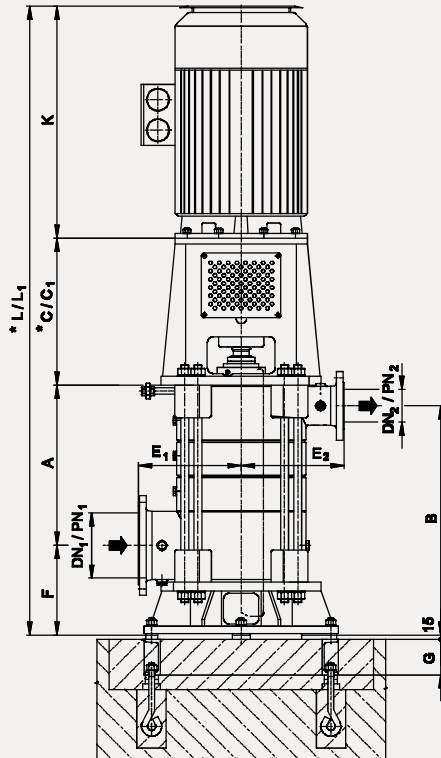
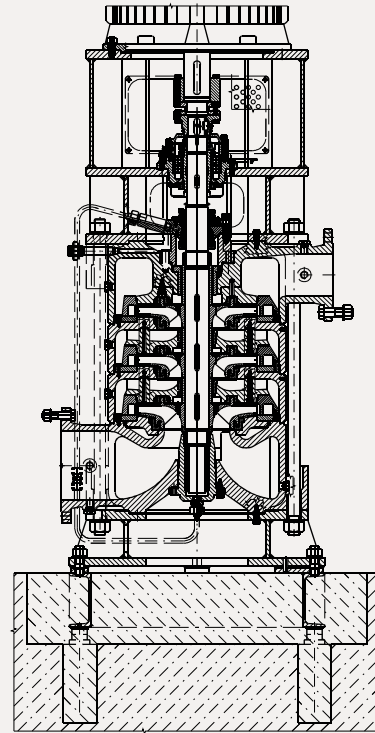
WORKING AREA

PUMP SIZE	SHAFT SPEED (r.p.m.)	FLOW Q (l/s)	DELIVERY HEAD H (m)	TEMPERATURE MAX. (°C)
65-CVUR-255-13/2 ÷ 6	1450	13,9	up to 100	80
80-CVUR-300-14/2 ÷ 5	1450	22,2	up to 120	80
100-CVUR-300-19/2 ÷ 5	1450	34,7	up to 115	80
125-CVUR-350-22/2 ÷ 4	1450	55,6	up to 125	80
150-CVUR-400-25/2 ÷ 3	1450	87,5	up to 125	80

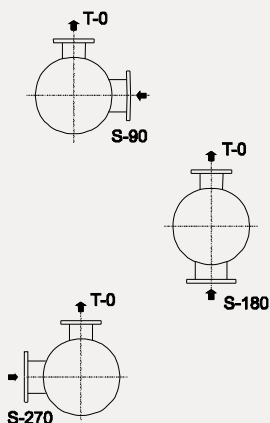
MATERIAL SPECIFICATION

Part name	DU
suction body	1.0625
impeller body	1.0625
discharge body	1.0625
transducer	X20Cr14 (DIN)
diffuser	X20Cr14 (DIN)
impeller	X20Cr14 (DIN)
seal ring	3346-HM
shaft	1.0503
tightening bolt	1.5122
pump and motor stand	1.0570



BASIC DIMENSIONS

CROSS-SECTION DRAWING

PIPE POSITION

(S - inlet, T - outlet)



Size	Number of stages	Discharge Pipe		Pump dimensions										
		DN1/PN1	DN2/PN2	A	B	C	C1	E1	E2	F	G	K	L	L1
65-CVUR-255-13	2	125/16	65/40	345	540	470/500	610/640	300	300	260	120	according to actuator type	L = F + A + C + K	L1 = F + A + C1 + K
	3	125/16	65/40	445	640	470/500	610/640	300	300	260	120			
	4	125/16	65/40	545	740	470/500	610/640	300	300	260	120			
	5	125/16	65/40	645	840	470/500	610/640	300	300	260	120			
	6	125/16	65/40	745	940	470/500	610/640	300	300	260	120			
80-CVUR-300-14	2	150/16	80/40	380	575	470/500	610/640	350	350	265	120			
	3	150/16	80/40	490	685	470/500	610/640	350	350	265	120			
	4	150/16	80/40	600	795	470/500	610/640	350	350	265	120			
	5	150/16	80/40	710	905	470/500	610/640	350	350	265	120			
100-CVUR-300-19	2	200/10(16)	100/40	425	645	470/500	610/640	350	350	290	120			
	3	200/10(16)	100/40	545	765	470/500	610/640	350	350	290	120			
	4	200/10(16)	100/40	665	885	470/500	610/640	350	350	290	120			
	5	200/10(16)	100/40	785	1005	470/500	610/640	350	350	290	120			
125-CVUR-350-22	2	200/10(16)	125/40	505	715	580	760	400	400	300	160			
	3	200/10(16)	125/40	650	860	580	760	400	400	300	160			
	4	200/10(16)	125/40	795	1005	580	760	400	400	300	160			
150-CVUR-400-25	2	250/10(16)	150/40	560	785	650	830	450	450	325	160			
	3	250/10(16)	150/40	720	945	650	830	450	450	325	160			

 NOTE: C, L...with a flexible coupling without a spacer
 C1, L1...with a flexible coupling with a spacer

SEAL DESIGN

- shaft sealed to prevent leakage on both suction and discharge ends using a packing
 - non-flooded packing (for pure water)
 - flooded from foreign source (for polluted water)
- types of seals
 - soft cord packing
 - single mechanical seal (balanced, unbalanced)

MOTORS

- foot-mounted electric motor drive
- driving force transmitted using a flexible coupling
 - flexible coupling without a spacer
 - flexible coupling with a spacer